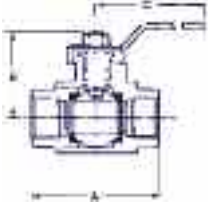


Ball Valves

Bronze – FIG 965S Full Bore (2½ & 3in Reduced Bore)

Dimensions



Nominal Size	A	B	C	Weight	Product
in mm	mm	mm	mm	kg	Code
¼ 8	51	20.5	85	0.21	37169501
⅜ 10	51	20.5	85	0.20	37169512
½ 15	62	31	85	0.27	37169523
¾ 20	70	35	104	0.38	37169534
1 25	85	42.5	104	0.66	37169545
1¼ 32	99	49.5	122	1.02	37169556
1½ 40	110	55	122	1.36	37169567
2 50	134	67	153	2.52	37169578
2½ 65	142	71	200	3.43	37169589
3 80	178	89	270	6.54	37169608

Technical Data

Connections	Screwed BSPT Female
Pressure rating	¼ to 1¼in = 40bar at 95°C
	1½ to 2in = 40bar at 25°C
	20bar at 95°C
Temperature rating	2½ to 3in = 28bar at 45°C 150°C

Materials of Construction

Body	Bronze LG2 AST B62
Ball	Diamond Finished Brass, Chrome Plated
Sealing washer	PTFE
Packing nut	PTFE
Stem	Brass OT58 (BS2872 CZ122)
Packing nut	Brass Rod
Lever	Zinc Coated Steel
Grip	Vinyl Plastic
Self-locking nut:	Zinc Coated Steel

1300...

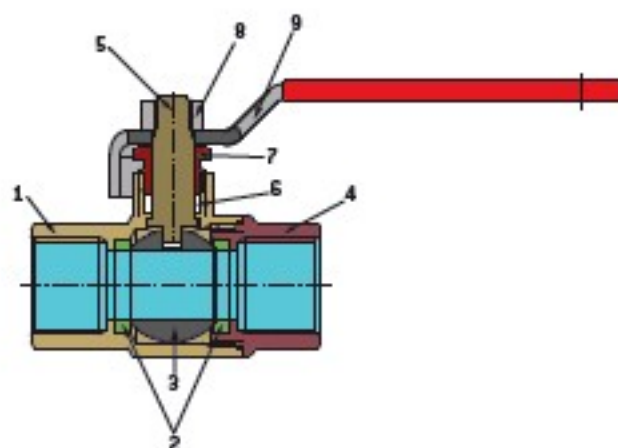
RENO

Water ball valves



- F/F bronze ball valve with iron lever
- Thread: ISO 228, on request ISO 7/1 NPT
- Temperature range: 0°C to +120°C

This valve is particularly indicated for distributing and shutting off fluids that can cause dezincification problems. It is also suitable for use in marine and other aggressive environments. Other excellent fields of application are in plant engineering for plumbing and heating, industry and shipbuilding. It is a full-bore valve, and ball seal is provided by two PTFE seats. Seal of the stem is provided by a PTFE ring and an adjustable gland with the stem mounted from inside and a bottom-loaded system. It is advisable to perform a complete manoeuvring cycle at least once every 3 months to prevent the formation of limescale, which would affect operation.

**Components:**

POSN.	PART NAME	No. Pcs.	MATERIAL
1	Body	1	CC491K UNI-EN 1982:2000
2	Seal	2	PTFE
3	Ball	1	CW617N UNI-EN 12165 Chrome-plated
4	End connection	1	CC491K UNI-EN 1982:2000
5	Stem	1	CW614N UNI-EN 12164
6	Gland packing	1	PTFE
7	Gland	1	CW614N UNI-EN 12164
8	Nut	1	Galvanised iron
9	Lever	1	Galvanised iron and PVC coated

Dimensions:

DN	A	B	C	D	PN
10	1/4"	51	47,5	85	32
12	3/8"	51	47,5	85	32
15	1/2"	62	45	85	32
20	3/4"	70	57,5	104	32
25	1"	85	57,5	104	32
32	1.1/4"	99	75	122	32
40	1.1/2"	110	77,5	122	32
50	2"	134	93	153	32
60	2.1/2"	142	119,5	200	32
76	3"	178	134	280	32
95	4"	210	153,5	280	32

